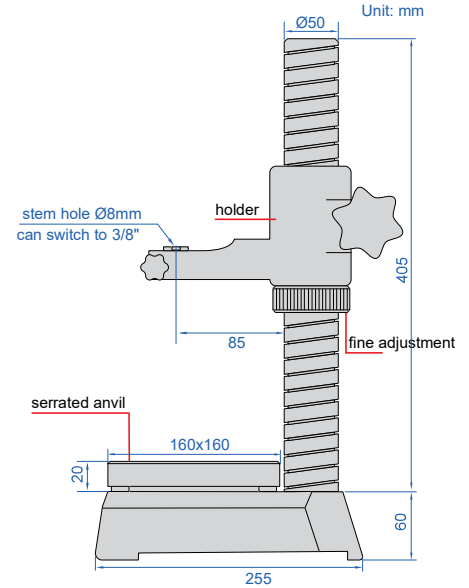


# HEAVY DUTY DIAL INDIACATOR STAND



- Vertical travel of holder: 300mm
- Fine adjustment range: entire stroke
- Supplied with dust cover

**6868-300**



Code	Applicable holding stem	Anvil
6868-300	Ø8mm, 3/8"	steel (hardness HRC60±2), serrated, flatness 1.5µm